



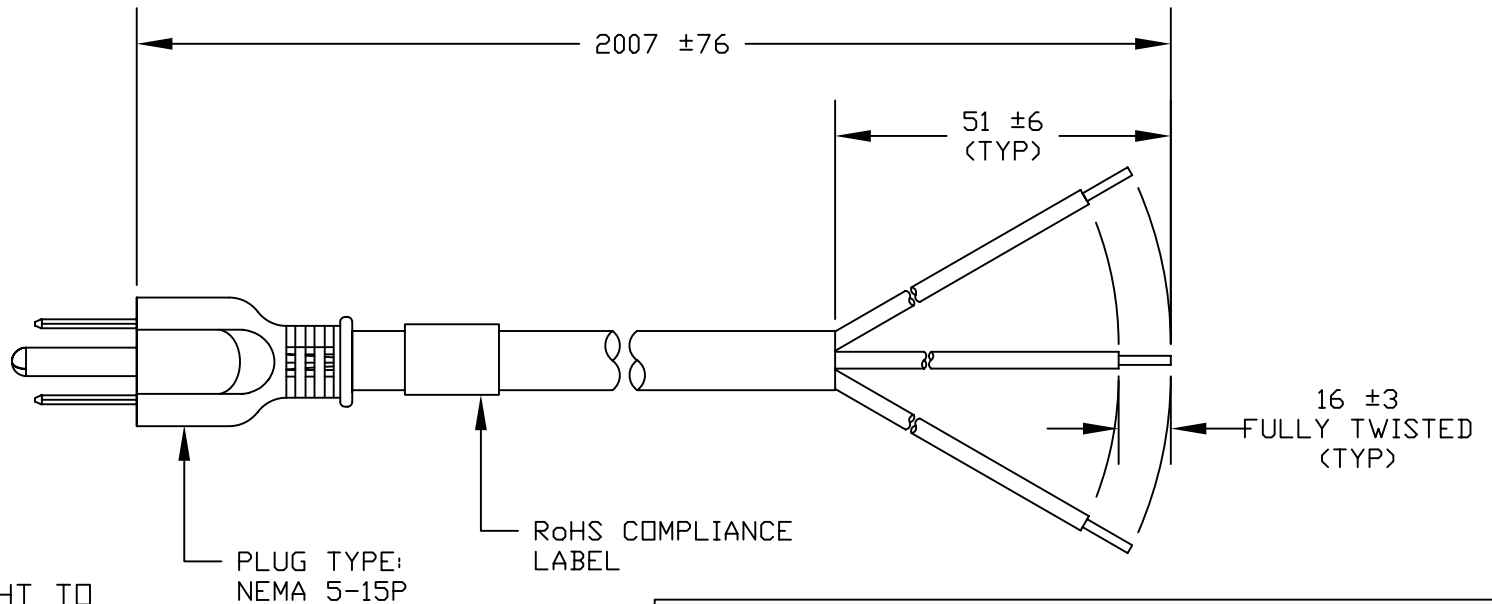
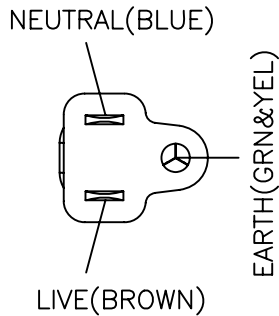
VOLEX

GROUP

Standard Cord Details: 17534 10 B1



Specifications	
Certifications	
Part Number	17534 10 B1
Connector Type	none
Plug Type	5-15P
Category	Plastic
Application	Non-Detachable
Plug Catalog No.	
Connector Catalog No.	
Cable	SVT AWG 18x3
Jacket Color	black
Length in Feet	6'7
Length in Meters	2
Temperature Rating	60
Packaging Units Per Carton	H-100,H-25
Color Coding	International
Nominal OD in Inches	0.246
Nominal OD in Millimeters	6.25
Notes	See 17747 for 105C version. See 17512 for SJT version.

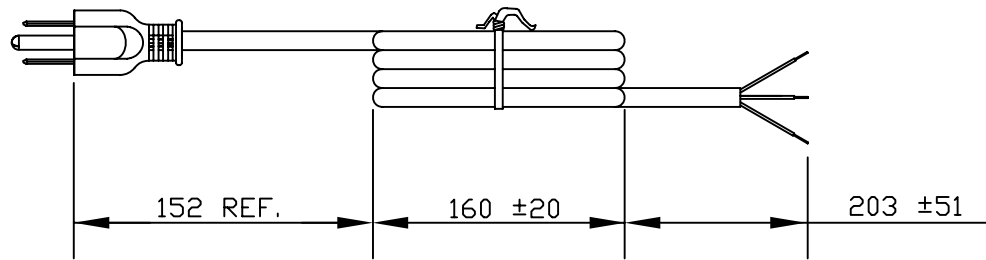


VOLEX RESERVES THE RIGHT TO ALTER NON-CRITICAL DIMENSIONS WITHOUT NOTICE.

NOTES:

- 1) CORDAGE: 18/3 SVT, 60°C, BLACK
- 2) APPROVALS:
- 3) RATING: 10 AMP/125 VOLTS
- 4) FLAME RATING : FT2
- 5) PACKAGING: 120 PIECES/CARTON
- 6) ALL DIMENSIONS IN MILLIMETERS.

PACKAGING: FOLD & TIE



3	REVISED TO SHOW CHINA MANUFACTURED CORD	11/26/07
2	FORMAT UPDATE	08/19/04
1	C.U.D - NEW RELEASE	06/10/04
REV	DESCRIPTION	DATE



FORM IN71-07 REV.A

- Indianapolis, IN
- Conover, N.C.
- Freemont, CA
- Aguascalientes, MX
- Tijuana, Mexico
- Hermosillo, MX
- Clinton, AR
- Kanata, Canada

Proprietary Notice:

This document is the property of Volex Incorporated. The information contained herein is not to be disclosed to anyone without the express written consent of Volex Inc.

MATERIAL:
PLUG: PVC, BLACK
JACKET: PVC, BLACK

FINISH:
JACKET: SMOOTH

SCALE:
NOT TO SCALE

ECD:
N/A

ITEM DESCRIPTION
CORDSET - NORTH AMERICAN
POWER SUPPLY CORD (6'")

TOLERANCE UNLESS OTHERWISE SPECIFIED
.XXX ± .005
.XX ± .02
.X ± .03
FRACT. ± 1/32
ANGULAR ± 1/2°

APPROVED CR	DRAWN BY ARK	DATE: 06/10/04
-----------------------	------------------------	--------------------------

PART NO.
17534 10 B1